

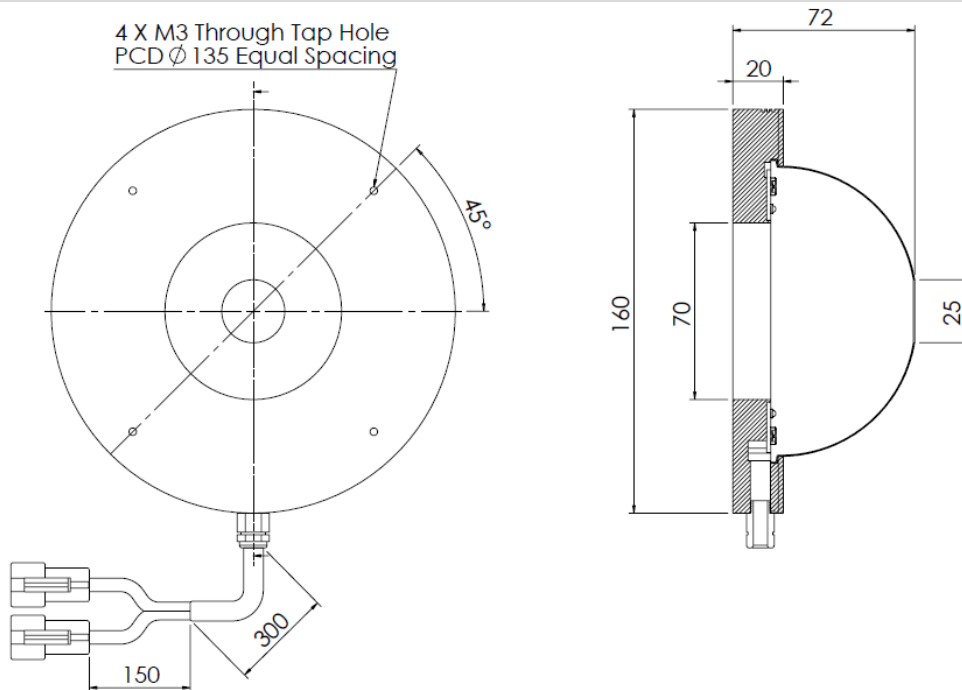
Customized High Brightness Dome Light

 **FHDM-Si100-UVW**

Lighting Picture




Lighting Dimension




All unit in mm

Mechanical Information	
Casing Material	Aluminium
Storage Temperature Range	Temp 0-35°C, Humidity 20-85%
Weight	860g
Lighting Dimension, ØxH	Ø160.0x 72.0mm
IP Rating	N/A



Optical Information		
Led Color	White (W)	UV
Wavelength	xy=(0.31,0.32)	365nm
Illumination (number of LED)	21	24
Illumination Area	Ø70 mm	
Led Package	XPG	NCSU033B
Eye Safety (EN 62471:2008)	RG2	RG3
Electrical Information		
	White (W)	UV24
Lighting Supply Voltage (constant voltage mode)	24V ± 2%	24V ± 2%
Supply Ripple Voltage	≤ Vs ± 5%	
Reverse Battery Protection	YES	
Lighting Forward voltage, (for zero internal resistor value)	21.0 V	21.6 V
Continuous Current	1.05 A (MAX)	2.0 A (MAX)
Power Consumption	25.20 Watts	48 Watts
Lighting casing temperature, Operating after 60 minutes	40°C	
Strobe Mode Specification		
	White (W)	UV24
Max. Lighting Supply Voltage (Constant voltage power supply)	Pulsing at 24VDC to 48VDC, 0-10% Duty Cycle Recommended at 36VDC	Pulsing at 24VDC to 48VDC, 0-10% Duty Cycle Recommended at 36VDC
Pulse Current, (Max. 10msec) (Constant current power supply)	2.6 A (MAX)	5.0 A (MAX)
Max. Trigger Pulse Duration, msec	10 msec	
Duty Cycle	0 to 10%	
Additional Information		
Additional Cooling Method	Attached to machine part for better heat dissipation	
Life span in continuous mode	20,000 hours	10,000 hours
Life span in strobe light mode	Est. >50,000 hours (drop to 50% intensity) at 25°C	
Intensity Controller Selection	PSA-Series, PSD-Series, LIC-Series	
CE Conformity	YES	
RoHS Compliance	YES	
ISO 9001:2008	SG11/03751	
Ordering Option		
FHDM-i100-UVW -0	Internal resistor value= zero ohms (only use in constant current power supply)	
Accessories Option		
	W	UV24
External Resistor part number	FRB-i3.0	FRB-i1.2
	No resistor needed if lighting work with constant current controller.	



Connection		UV/W		
Connector Type (Default):		JST SMR-03V		
Cable Length out from lighting:		450 mm		
Pin Configuration:	Pin	Signal	Cable Color	
	1	LED +	Black/White	
	2	N.C.	---	
	3	LED -	Black	
				
Application				
Optimal Working Distance		0-30mm		



Disclaimer

IMPORTANT NOTICE:

ALL PRODUCT, PRODUCT DATA SHEET AND DATA ARE SUBJECT TO CHANGE WITHOUT NOTICE TO IMPROVE QUALITY, RELIABILITY, FUNCTION, DESIGN OR OTHERWISE.

Other disclaimers:

- 1) FALCON ILLUMINATION (M) SDN.BHD, Formerly known as LED ILLUMINATION (M) SDN.BHD (termed as FALCON), its affiliates, agents, distributors and employees, and all persons acting on its or their behalf (FALCON collectively), disclaim any and all liability for any errors, inaccuracies or incompleteness contained in any datasheet or in any other disclosure relating to any product.
- 2) FALCON makes no warranty, representation or guarantee regarding the suitability of the products for any particular purpose or the continuing production of any product. To the maximum extent permitted by applicable law, FALCON disclaims:
 - (i) any and all liability arising out of the application or use of any product,
 - (ii) any and all liability, including without limitation special, consequential or incidental damages, and
 - (iii) any and all implied warranties, including warranties of fitness for particular purpose, non-infringement and merchantability.
- 3) Information and statements regarding the suitability of products for certain types of applications are based on FALCON's knowledge of typical requirements that are often placed on our products datasheet for generic applications. Such statements or information are not binding statements about the suitability of products for a particular application. It is the customer's responsibility to verify and/or validate that a particular product with the properties described in our product data sheet is suitable for use in a particular application.
- 4) Parameters provided in product datasheets and/or specifications may vary in different applications and performance may vary over time. All operating parameters, including typical parameters, must be verified and/or validated for each customer application by the customer's technical experts.
- 5) Except as expressly indicated in writing, FALCON I's products are not designed for use in medical, life-saving, or life-sustaining applications or for any other application in which the failure of the product could result in personal injury or death. Customers using or selling our products not expressly indicated for use in such applications do so at their own risk and agree to fully indemnify and hold FALCON and its distributors harmless from and against any and all claims, liabilities, expenses and damages arising or resulting in connection with such use or sale, including attorneys fees, even if such claim alleges that FALCON or its distributor was negligent regarding the design or manufacture of the part. Please contact authorized FALCON personnel to obtain written terms and conditions regarding products designed for such applications.

