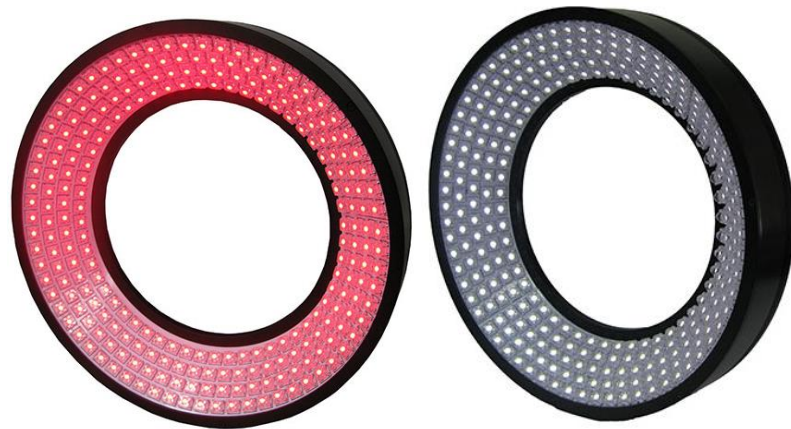


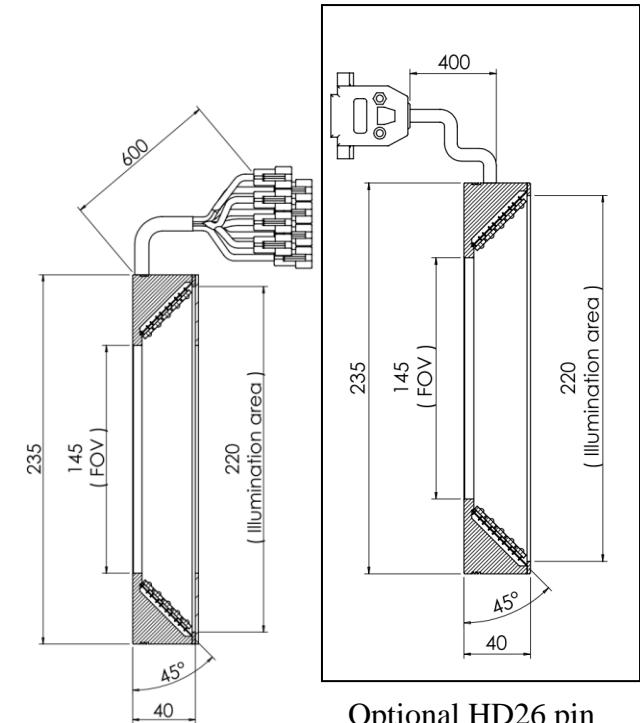
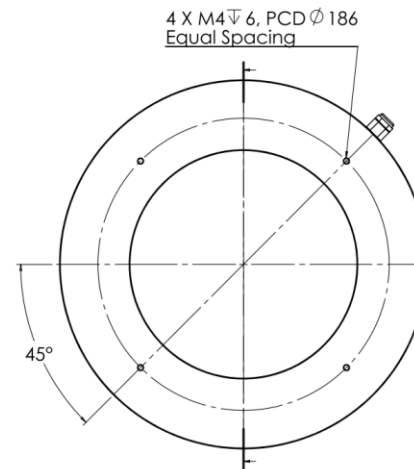
# Direct Angle Ring Light

## FLDR-i230B-8

### Lighting Picture



### Lighting Dimension



Mechanical Information	
Casing Material	Aluminium
Storage Temperature Range	Temp 0-35°C, Humidity 20-85%
Weight	1580 g
Lighting Dimension ØxH	Ø235.0 x 40.0 mm
IP Rating	N/A

Optional HD26 pin

Unit in mm



Optical Information		
Led Color	WHITE (W)	RED (R24)
Wavelength	xy=(0.31,0.32)	xy=(0.7,0.299)
Illumination (number of LED)	280	240
Illumination Area	Ø220mm	
Led Package	P4	
Eye Safety (EN 62471:2008)	Exempt Group	



Electrical Information	W	R24
Lighting Supply Voltage (constant voltage mode)	24V ± 2%	
Supply Ripple Voltage	≤ Vs ± 5%	
Reverse Battery Protection	YES	
Lighting Forward voltage, (for zero internal resistor value)	21.0 V	22.0 V
Continuous Current	2.00A (MAX)	1.20A (MAX)
Power Consumption	48.00 W	28.80 W
Lighting casing temperature, Operating after 60 minutes	30°C	30°C

Strobe Mode Specification	W	R24
Max. Lighting Supply Voltage (Constant voltage power supply)	Pulsing at 24VDC to 48VDC, 0-10% Duty Cycle Recommended at 36VDC	
Pulse Current, (Max. 10msec) (Constant current power supply)	5.00A (MAX)	3.00A (MAX)
Max. Trigger Pulse Duration, msec	10 msec	
Duty Cycle	0 - 10%	

Ordering Option	
FLDR-i230B-8-W/R24	With resistor to limit the current (Use in both constant voltage/ current power supply)
FLDR-i230B-8-W/R24-0	Internal resistor value= zero ohms (only use in constant current power supply)

To order with HD26pin – Please specify in the P.O



Connection									
Connector Type (Default): R24 JST SMR-03V 		L1	L2	L3	L4	L5	L6	L7	L8
	Pin 1	+24V	+24V	+24V	+24V	+24V	+24V	+24V	+24V
	Pin 2	N.C.	N.C.	N.C.	N.C.	N.C.	N.C.	N.C.	N.C.
	Pin 3	GND	GND	GND	GND	GND	GND	GND	GND
Pin Configuration: W HD26Pin Male 	Pin	Signal		Color		Pin	Signal		Cable Color
	1	+24V		Brown/Red		14	N.C.		N.C.
	2	+24V		Orange/Yellow		15	N.C.		N.C.
	3	+24V		Green/Blue		16	N.C.		N.C.
	4	+24V		Black/Grey		17	N.C.		N.C.
	5	S1/Nord-W		Brown		18	N.C.		N.C.
	6	S2/Nord-O		Red		19	N.C.		N.C.
	7	S3/Ost-N		Orange		20	N.C.		N.C.
	8	S4/Ost-S		Yellow		21	N.C.		N.C.
	9	S5/Sued-O		Green		22	N.C.		N.C.
	10	S6/Sued-W		Blue		23	N.C.		N.C.
	11	S7/West-S		Black		24	N.C.		N.C.
	12	S8/West-N		Grey		25	N.C.		N.C.
	13	N.C.		N.C.		26	N.C.		N.C.
Cable Length out from lighting:	400mm					10m			

Additional Information		W/R24
Additional Cooling Method	Attached to machine part for better heat dissipation	
Life span in continuous mode,	20,000 hours	
Life span in strobe light mode Lighting drop to 50% intensity (at 25°C ambient temperature)	50,000 hours	
Intensity Controller Selection	PSA-Series, PSD-Series, LIC-Series	
CE Conformity	YES	
RoHS Compliance	YES	
ISO 9001:2008	SG11/03751	

Application	
Optimal Working Distance	75-200mm



## Disclaimer

### IMPORTANT NOTICE:

**ALL PRODUCT, PRODUCT DATA SHEET AND DATA ARE SUBJECT TO CHANGE WITHOUT NOTICE TO IMPROVE QUALITY, RELIABILITY, FUNCTION, DESIGN OR OTHERWISE.**

Other disclaimers:

- 1) FALCON ILLUMINATION (M) SDN.BHD (termed as FALCON), its affiliates, agents, distributors and employees, and all persons acting on its or their behalf (FALCON collectively), disclaim any and all liability for any errors, inaccuracies or incompleteness contained in any datasheet or in any other disclosure relating to any product.
- 2) FALCON makes no warranty, representation or guarantee regarding the suitability of the products for any particular purpose or the continuing production of any product. To the maximum extent permitted by applicable law, FALCON disclaims:
  - (i) any and all liability arising out of the application or use of any product,
  - (ii) any and all liability, including without limitation special, consequential or incidental damages, and
  - (iii) any and all implied warranties, including warranties of fitness for particular purpose, non-infringement and merchantability.
- 3) Information and statements regarding the suitability of products for certain types of applications are based on FALCON's knowledge of typical requirements that are often placed on our products datasheet for generic applications. Such statements or information are not binding statements about the suitability of products for a particular application. It is the customer's responsibility to verify and/or validate that a particular product with the properties described in our product data sheet is suitable for use in a particular application.
- 4) Parameters provided in product datasheets and/or specifications may vary in different applications and performance may vary over time. All operating parameters, including typical parameters, must be verified and/or validated for each customer application by the customer's technical experts.
- 5) Except as expressly indicated in writing, FALCON I's products are not designed for use in medical, life-saving, or life-sustaining applications or for any other application in which the failure of the product could result in personal injury or death. Customers using or selling our products not expressly indicated for use in such applications do so at their own risk and agree to fully indemnify and hold FALCON and its distributors harmless from and against any and all claims, liabilities, expenses and damages arising or resulting in connection with such use or sale, including attorneys fees, even if such claim alleges that FALCON or its distributor was negligent regarding the design or manufacture of the part. Please contact authorized FALCON personnel to obtain written terms and conditions regarding products designed for such applications.

